

# LGMG

## A45JE

### ARTICULATING BOOM LIFT

- Battery powered provides quiet, zero-emission and long battery duty cycle.
- Proportional control ensures smooth driving, precise positioning and comfortable operation.
- Self-leveling platform together with hydraulic platform rotation delivers exceptional productivity.
- Intelligent self-diagnostic system for quick troubleshooting.
- Lead-acid battery, lithium battery (A45JE-Li) two options.



# LGMG Electric - Articulating Boom Lift

## SPECIFICATIONS

| MODELS                        | A45JE (A14JE) |        |
|-------------------------------|---------------|--------|
|                               | Imperial      | Metric |
| Measurements                  |               |        |
| Work Height Max.              | 51'10"        | 15.8m  |
| Platform Height Max.          | 45'3"         | 13.8m  |
| Horizontal Outreach           | 25'7"         | 7.81m  |
| Up and Over Height            | 23'10"        | 7.26m  |
| Platform Length               | 6'            | 1.83m  |
| Platform Width                | 2'6"          | 0.76m  |
| <b>A</b> Stowed Length        | 21'10"        | 6.66m  |
| Length-Transport (jib tucked) | 18'7"         | 5.67m  |
| <b>B</b> Stowed Width         | 5'11"         | 1.8m   |
| <b>C</b> Stowed Height        | 6'6"          | 1.98m  |
| Height-Transport              | 8'4"          | 2.54m  |
| <b>D</b> Wheelbase            | 6'8"          | 2.03m  |
| <b>E</b> Ground Clearance     | 9"            | 0.24m  |

### PRODUCTIVITY

|                           |             |         |
|---------------------------|-------------|---------|
| Max. Platform Occupancy   | 2           |         |
| Platform Capacity         | 510 lbs     | 230kg   |
| Turning Radius-Inside     | 6'          | 1.83m   |
| Turning Radius-Outside    | 13'5"       | 4.1m    |
| Turntable Rotation        | 355°        | 355°    |
| Max.Slope                 | 3°/3°       | 3°/3°   |
| Max. Drive Speed (Stowed) | 3mph        | 4.8km/h |
| Max. Drive Speed (Raised) | 0.62mph     | 1km/h   |
| Gradeability              | 30%         | 30%     |
| Tire Type                 | Foam-filled |         |
| Tire Size                 | 9-14.5      |         |

### POWER

|                            |           |
|----------------------------|-----------|
| Lead-acid Battery          | 48V 390Ah |
| Lithium Battery (A45JE-Li) | 48V 280Ah |

### HYDRAULIC SYSTEM

|                        |        |     |
|------------------------|--------|-----|
| Hydraulic Oil Capacity | 7.9gal | 30L |
|------------------------|--------|-----|

### WEIGHT

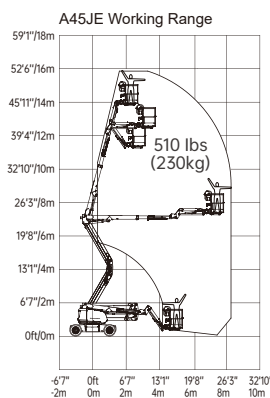
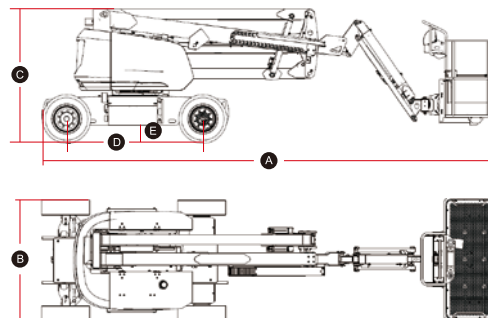
|                |           |        |
|----------------|-----------|--------|
| Machine Weight | 16535 lbs | 7500kg |
|----------------|-----------|--------|

### STANDARD FEATURES

|                           |                                    |
|---------------------------|------------------------------------|
| Proportional control      | Tilt alarm with lift cut-out       |
| Horn/Hour meter           | Platform auto-leveling system      |
| Emergency stop button     | On-board diagnostic system         |
| Anti-collision protection | Over tilt protection system        |
| Full-height drive         | Rear-wheel drive and break         |
| Telematics connector      | Overload sensing system            |
| Solid non-marking tires   | Descent alarm with flashing beacon |
| Platform tool box         | Solid non-marking tires            |

### OPTIONAL

|             |                             |
|-------------|-----------------------------|
| Solid tires | AC power to platform        |
| Telematics  | Biodegradable hydraulic oil |



Please contact LGMG or a local dealer for more details.  
LGMG reserves the right to change technical data without prior notice. All photos and pictures in this brochure are for promotional purposes only.  
This brochure comes into effect in May, 2023.

### LINGONG HEAVY MACHINERY CO., LTD.

Address: No. 2676, Kejia Road, Jinan, Shandong, China  
Email: sales@lgmg.com.cn Tel: +86 531 6787 9283

### LGMG Europe B.V.

Address: Donker Duyvisweg 301, 3316 BL Dordrecht, The Netherlands  
Email: sales@lgmgeurope.com Tel: +31 850 642 777

### LGMG North America Inc.

Address: 4105 Live Oak Drive, Suite 100, The Colony, Texas 75056 United States  
Email: sales@lgmgna.com Tel: +1 833 288 5464

www.lgmglifts.com



**LGMG**  
RELIABILITY IN ACTION